

Air Vents and Eliminators

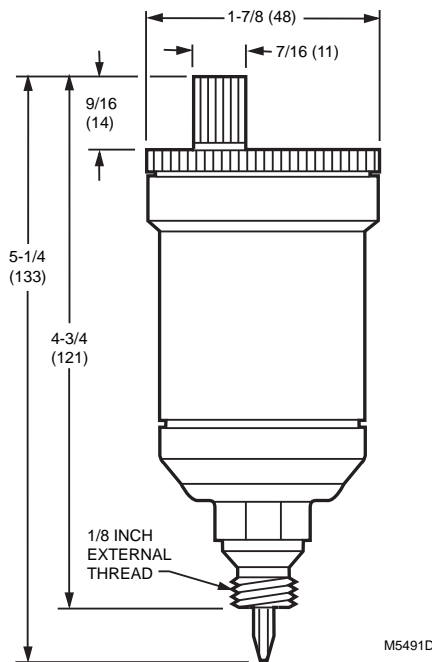
EA122A Automatic Air Vent for Heating System Applications



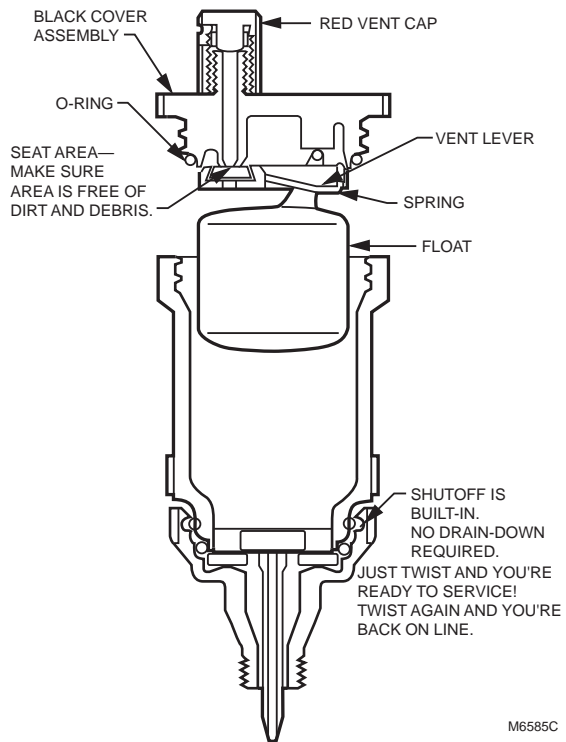
The Honeywell EA122A Automatic Air Vent purges air from high pressure mains and equipment in hot or cold closed water systems.

- Includes removable float/valve assembly for easy servicing.
- Not for use in steam systems.
- Body, cover and float assembly made of thermoplastics.
- Internal parts made of corrosion-resistant and chemical-resistant materials for use with water systems containing light concentrations of propylene glycol, mineral oils, or petroleum-based oils.
- Oil resistant seal.
- NBR seat disc and O-ring.

Dimensions in inches (millimeters)



EA122A construction



Application: Hydronic heating and cooling

Corrosion Resistant: Internal parts made of corrosion-resistant and chemical-resistant materials for use with hydronic systems that may contain concentrations of propylene or ethylene glycol.

Maximum Operating Temperature: 212 F (100 C)

Maximum Operating Pressure: 90 psi (620 kPa)

Accessories:

Q122A1001-Safe waste connector (M20 thread connection)

Replacement Parts:

P122B1002-Cover assembly including cover, float assembly and vent cap

Product Number	Connection Type	Connection Size	Description
EA122A1002	Male NPT	1/8 in.	Automatic air vent with built-in shutoff valve and leakage guard, oil resistant

Air Vent Accessories and Replacement Parts

Product Number	Description	Used With
P122B1002	Cover assembly including cover, float assembly and vent cap	EA122A1002;
P122B1010	Cover assembly including cover, float assembly and vent cap	EA122A1028;
P79B1003	Replacement O-ring, cover and internals for EA79A1004	EA79A1004;
Q122A1001/U	Safe waste connector (M20 thread connection)	EA79; EA122A;